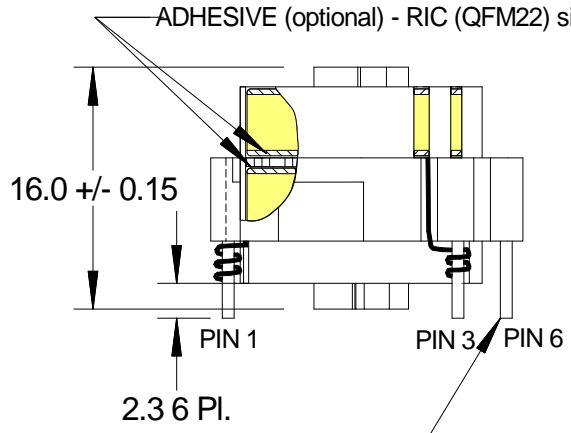
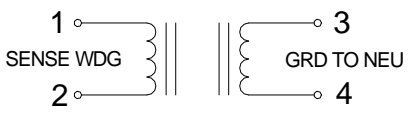


AS5859-02



**NOTES:**

1. Frame Material - R/C(QMFZ2) designated Zytel 70G33L, manufactured by E.I. Dupont rated 130°C max.
2. Sensing Toroid - Magnetic Metals P/N 5029 (80% Nickel Iron Alloy Rings) with 1000 turns of coated magnet wire, 40 AWG, 45 Ω +/- 10%, Wire is R/C (OBMW2) type Polysol 155 from Elektrisola or equivalent.
3. Grounded Neutral Toroid - Magnetic Metals P/N F3006 (Ferrite Material) with 300 turns of coated magnet wire, 40 AWG, 16 Ω +/- 15%, Wire is R/C (OBMW2) type Polysol 155 from Elektrisola or equivalent.
4. Shield Washer - Material - M6 silicon steel, circular dimensions - 0.36 mm thick, OD=14.48 mm, ID=6.60 mm
5. Insulator - Material - nylon, circular dimensions - 0.3 mm thick, OD=14.4 mm, ID=6.15 mm
6. Maximum operating temperature = 85°C



**SCHEMATIC**

All Dimensions in Millimeters

**REVISIONS**  
 REV 2 - 12/6/06 - Corrected pin number - D.ROLLINS.  
 4. All dimensions in millimeters.  
 REV 3 - 12/8/06 - Added additional dimensions, changed to metric - D.ROLLINS.  
 REV 4 - 3/20/07 - Corrected Pin 5 location dimension - D. Rollins  
 REV 5 - 5/3/07 - Changed Pin Size from 0.91 to 0.635, changed material from Zytel 101L to Zytel 70G33L. - D. Rollins  
 REV 6 - 5/30/07 - Changed 11.06 dimension to 9.96 - D.ROLLINS  
 REV 7 - 3/13/08 - Added Insulator and Shield Washer, Added Notes 5,6, & 7. Added Schematic. - D. Rollins  
 Rev 8 - 1/15/09 - Changed 9.96 dimension to 9.60, redrawn in ACAD format, Added shield washer insulator.  
 Rev 9 - 7/25/14 - Changed Grounded Neutral Toroid DCR tolerance from 10% to 15%.

THIS DRAWING IS THE PROPERTY OF C.A. SPALDING CO. COPIES ARE ISSUED IN STRICT CONFIDENCE AND SHALL NOT BE REPRODUCED OR COPIED OR USED AS THE BASIS FOR THE MANUFACTURE OR SALE OF APPRATUS WITHOUT WRITTEN PERMISSION.

MATERIAL	
FINISH	
DRAWN <b>D. Rollins</b>	DATE <b>12/05/06</b>
APPROVED	DATE

TOLERANCES  
 ± 0.13 mm  
 ANGLES ± .5°  
 UNLESS OTHERWISE SPECIFIED



**GFCI COIL ASSEMBLY**

<b>A</b> SIZE	DRAWING NUMBER <b>AS5859-02</b>		REV <b>9</b>
	SHEET NO 1	OF 1	