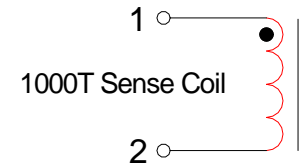
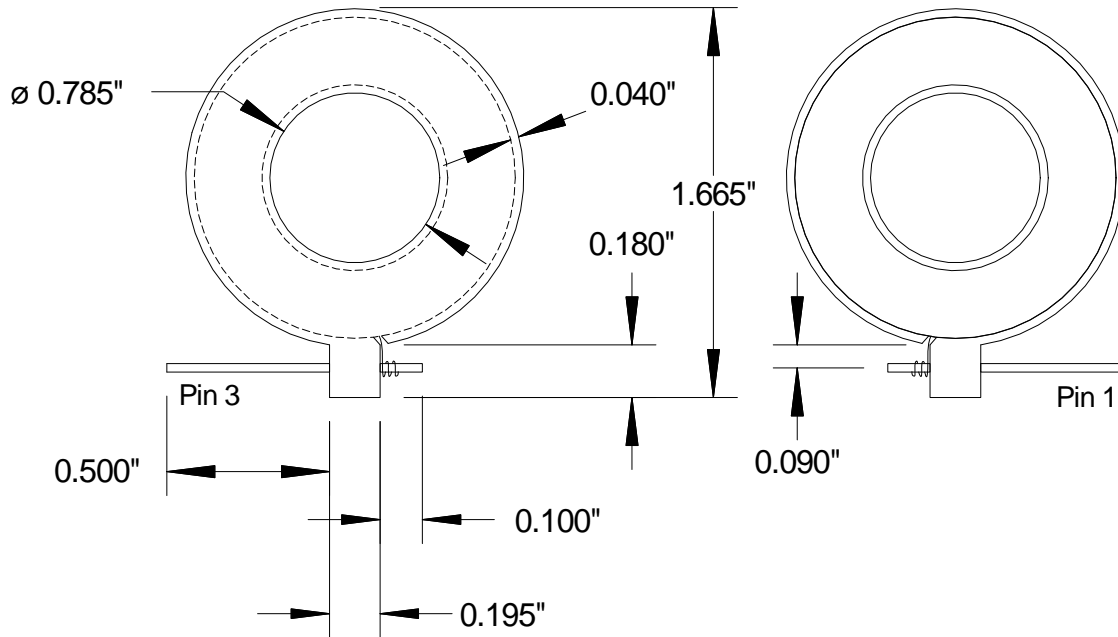


Sense Coil Side

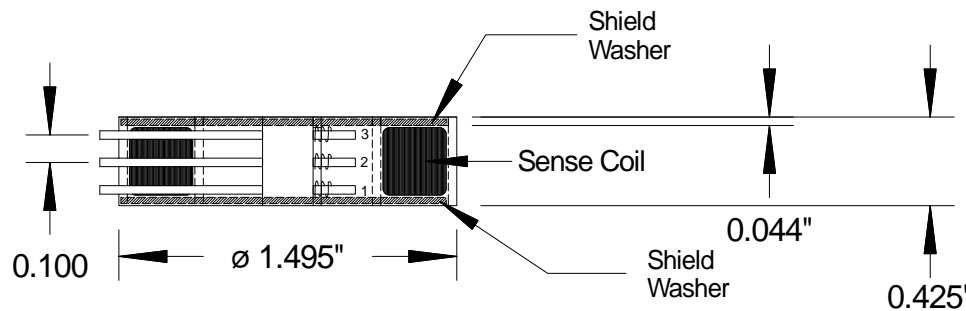


0.025" Sq. Pin  
6 PL.

Electrical Specifications

DC Resistance: Pins 1 - 2 = 45.5 Ohms  $\pm$  10%

Output Voltage: Apply 5 ma thru 1 turn center with 1KOhm Load Resistor from Pins 1 - 2. Measure Pin 1 - 2 = 4.1 mV



Construction Details

1. Sense Coil: 1000T #38 Awg, 155 C Magnet wire on MMC 5045 ring.
2. Shield Washers: 0.020" Thick Cold Rolled Steel
3. Frame Material: Nylon 70G33L Black or FR530 Black

REVISIONS

Rev 2 - Changed height from 0.370" to 0.425", added FR530 Black as alternate frame material. DR 6/2/14  
Rev 3 - Changed pin number 6 to 3. DR 8/18/14

MATERIAL

n/a

FINISH

n/a

DRAWN

D. Rollins

DATE

12/14/10

APPROVED

DATE

C.A. SPALDING CO.

GFCI COIL

THIS DRAWING IS THE PROPERTY OF C.A. SPALDING CO. COPIES ARE ISSUED IN STRICT CONFIDENCE AND SHALL NOT BE REPRODUCED OR COPIED OR USED AS THE BASIS FOR THE MANUFACTURE OR SALE OF APPRATUS WITHOUT WRITTEN PERMISSION.

TOLERANCES

THOUSANDTHS  $\pm$  .005

HUNDREDTHS  $\pm$  .02

ANGLES  $\pm$  .5°

UNLESS OTHERWISE SPECIFIED

A  
SIZE

DRAWING NUMBER

A08-3461-05

SHEET NO 1 OF 1

REV  
3