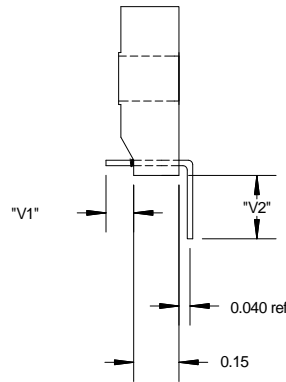
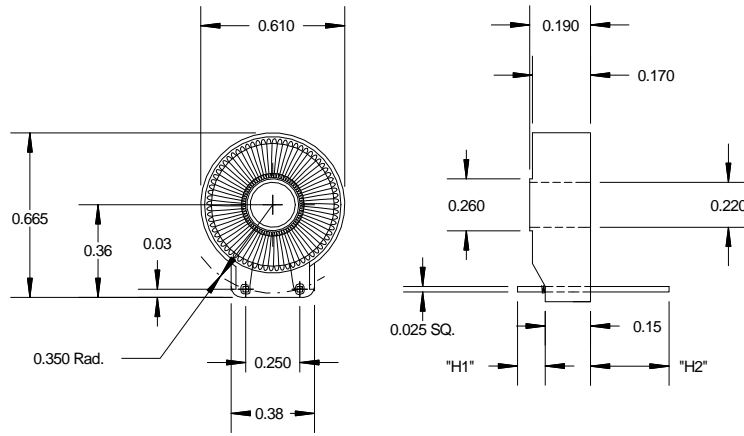
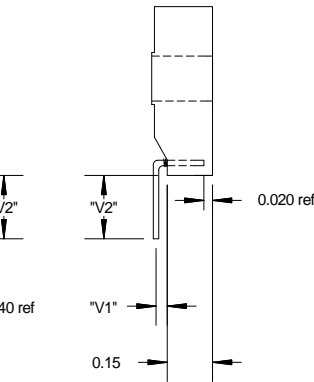


Horizontal Mount



Vertical Mount 1



Vertical Mount 2

| Part Number | Core | Turns | Wire Gauge | DC Resistance Nominal (Ohms) | H1 | H2 | V1 | V2 | Style |
|-------------|-----------|-------|------------|------------------------------|--------|--------|--------|--------|------------|
| AS5827-01 | 5029 | 1000 | 40 | 47 | 0.12" | 0.23" | | | Horizontal |
| AS5827-19 | 5029 | 1000 | 40 | 47 | 0.25" | 0.0" | | | Horizontal |
| AS5827-26 | 5029 | 1000 | 40 | 47 | | | 0.12" | 0.48" | Vertical 1 |
| AS5827-27 | 5029 | 1000 | 40 | 47 | 0.077" | 0.100" | | | Horizontal |
| AS5827-28 | F3006 | 250 | 39 | | 0.077" | 0.100" | | | Horizontal |
| AS5827-30 | 5301 | 2000 | 40 | 126 | | | 0.052" | 0.125" | Vertical 2 |
| AS5827-31 | F3006 | 200 | 40 | | | | 0.12" | 0.48" | Vertical 1 |
| AS5827-32 | F3006 | 200 | 40 | | 0.077" | 0.100" | | | Horizontal |
| AS5827-33 | 5029 | 1000 | 40 | 43.5 | | | 0.052" | 0.125" | Vertical 2 |
| AS5827-36 | 5029 | 2000 | 40 | 126 | | | 0.052" | 0.125" | Vertical 2 |
| AS5827-39 | F3006-10M | 300 | 40 | 16.2 | | | 0.052" | 0.125" | Vertical 2 |

- Notes:
1. Alternate number of turns, pin configurations and lengths are available upon request.
 2. Core 5029 is a Nickel ring core for the GFCI sense coil.
 3. Core F3006 is a ferrite core for the GFCI Ground - Neutral coil.
 4. Core 5202 is a nanocrystalline ring core for the GFCI sense coil.
 5. Core 5301 is an amorphous ring core for the GFCI sense coil.
 6. Bracket Material is Nylon 6/6, Black

All Dimensions Are In Inches.



REVISIONS
 Rev 3 - Added -019 part. D. Rollins 12/19/06
 Rev 4 - Corrected dimensions D. Rollins 7/9/07
 Rev 5 - Added -029 & -030 parts. D. Rollins 7/30/08
 Rev 6 - Added DCR specification D. Rollins 12/2/08
 Rev 7 - Added Vertical Mount 2, added DCR specifications. D. Rollins 1/16/08
 Rev 8 - Added DCR for -030. D. Rollins 3/20/09
 Rev 9 - Added 0.170 dimension. D. Rollins 4/14/09
 Rev 10 - Added -28, -31 and -32 part. Changed core on -27 part from F3006 to 5029 and turns from 200 to 1000.
 Rev 12 - Added -29 & -30 parts. D. Rollins 6/8/11
 Rev 13 - Removed -29 part. Added -36 part. D. Rollins 10/12/11
 Rev 14 - Added -39 part. D. Rollins 8/18/14

THIS DRAWING IS THE PROPERTY OF MAGNETIC METALS. COPIES ARE ISSUED IN STRICT CONFIDENCE AND SHALL NOT BE REPRODUCED OR COPIED OR USED AS THE BASIS FOR THE MANUFACTURE OR SALE OF APPRATUS WITHOUT WRITTEN PERMISSION.

| | |
|---------------------|------------------|
| MATERIAL | |
| FINISH | |
| DRAWN D. Rollins | DATE 11-10-06 |
| APPROVED | DATE |

TOLERANCES
 THOUSANDTHS ± .005
 HUNDREDTHS ± .02
 ANGLES ± .5°
 UNLESS OTHERWISE SPECIFIED

Magnetic Metals Corporation
 1900 Hayes Avenue
 Camden, NJ 08105

GFCI SENSE COIL

| | | |
|-----------------|----------------|-----|
| A SIZE | DRAWING NUMBER | REV |
| | AS5827-XX | 14 |
| SHEET NO 1 OF 1 | | |