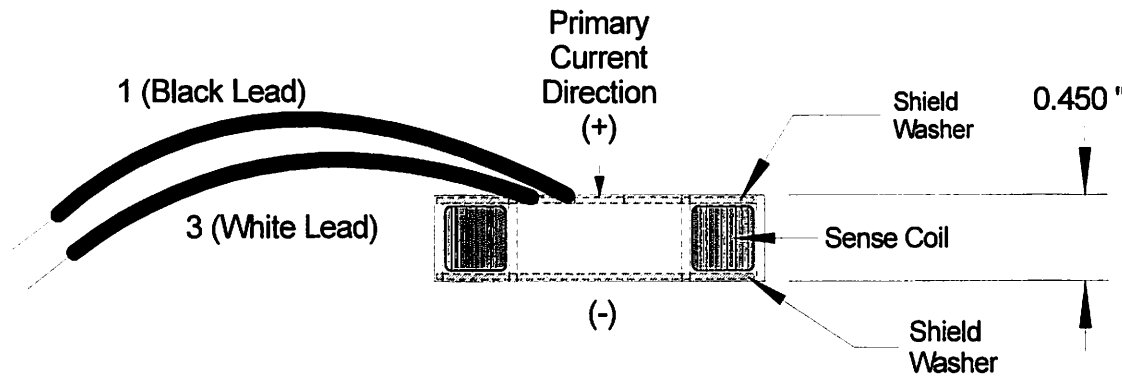


### Electrical Specifications

DC Resistance: Lead 1 - 3 = 15.80 Ohms ± 10%

Output Voltage: Apply 5 ma thru 1 turn center with 1KOhm Load Resistor from Leads 1 - 3. Measure Leads 1 - 3 = 4.1 mV



### Construction Details

1. Sense Coil: 1000T #33 Awg, 155 C Magnet wire on MMC 5045 ring core.
2. Shield Washers: 0.020" Thick Cold Rolled Steel
3. Frame Material: Nylon 70G33L Black
4. Lead Wire (ETFE): MIL-W-22759/19, #20 Awg

<b>REVISIONS</b> 1. - Rev 0 Preliminary Release - D. Rollins 8/21/10 2. - Rev 1 - Eliminated rectangular boss. Increased case OD from 1.50" to 1.560". Increased case height from 0.390" to 0.450", Changed DCR to 15.80 ohms - D. Rollins 8/3/10	<b>MATERIAL</b> n/a	
	<b>FINISH</b> n/a	
	<b>DRAWN</b> D. Rollins	<b>DATE</b> 8/23/10
	<b>APPROVED</b>	<b>DATE</b>
THIS DRAWING IS THE PROPERTY OF MAGNETIC METALS. COPIES ARE ISSUED IN STRICT CONFIDENCE AND SHALL NOT BE REPRODUCED OR COPIED OR USED AS THE BASIS FOR THE MANUFACTURE OR SALE OF APPRATUS WITHOUT WRITTEN PERMISSION.	<b>TOLERANCES</b> THOUSANDTHS ± .005 HUNDREDTHS ± .02 ANGLES ± 5° UNLESS OTHERWISE SPECIFIED	

<b>Magnetic Metals Corporation</b> 1900 Hayes Avenue Camden, NJ 08105		
<b>GFCI COIL</b>		
<b>A</b> SIZE	DRAWING NUMBER <b>A08-3461-04</b>	REV <b>1</b>
SHEET NO 1	OF 1	