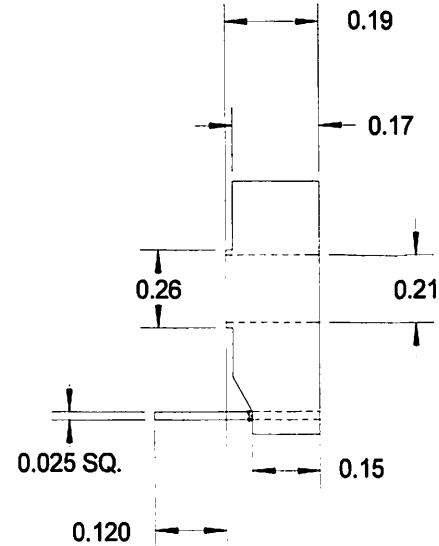
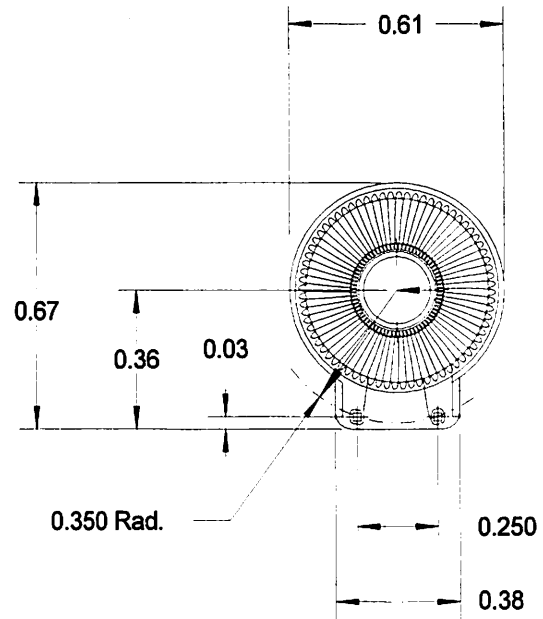


A07-3095



Notes:

1. Core: MMC 5029
2. Winding: 2000T #42 Awg, 155°C
3. DCR: 146 Ohms Nominal
4. Bracket Material - Glass Filled Nylon
5. Alternate pin configurations and number of turns are available upon request.

All Dimensions In Inches

<p>REVISIONS</p>	<p>MATERIAL</p>	<p>Magnetic Metals Corporation 1900 Hayes Avenue Camden, NJ 08105</p>													
	<p>FINISH</p>														
	<table border="1" style="width: 100%; border-collapse: collapse;"> <tr> <td style="width: 50%;">DRAWN D. Rollins</td> <td style="width: 50%;">DATE 4-13-09</td> </tr> <tr> <td>APPROVED</td> <td>DATE</td> </tr> </table>	DRAWN D. Rollins	DATE 4-13-09	APPROVED	DATE	<p>GFCI SENSE COIL</p>									
DRAWN D. Rollins	DATE 4-13-09														
APPROVED	DATE														
<p>THIS DRAWING IS THE PROPERTY OF MAGNETIC METALS . COPIES ARE ISSUED IN STRICT CONFIDENCE AND SHALL NOT BE REPRODUCED OR COPIED OR USED AS THE BASIS FOR THE MANUFACTURE OR SALE OF APPRATUS WITHOUT WRITTEN PERMISSION.</p>	<p>TOLERANCES THOUSANDTHS ± .005 HUNDREDTHS ± .02 ANGLES ± .5° UNLESS OTHERWISE SPECIFIED</p>	<p>A</p>	<table border="1" style="width: 100%; border-collapse: collapse;"> <tr> <td colspan="2" style="text-align: center;">DRAWING NUMBER</td> <td style="text-align: right;">REV</td> </tr> <tr> <td colspan="2" style="text-align: center;">A07-3095</td> <td style="text-align: right;">1</td> </tr> <tr> <td style="text-align: center;">SIZE</td> <td style="text-align: center;">SHEET NO</td> <td style="text-align: center;">OF</td> </tr> <tr> <td></td> <td style="text-align: center;">1</td> <td style="text-align: center;">1</td> </tr> </table>	DRAWING NUMBER		REV	A07-3095		1	SIZE	SHEET NO	OF		1	1
DRAWING NUMBER		REV													
A07-3095		1													
SIZE	SHEET NO	OF													
	1	1													